

**Sound level meter**  
**SDA**



**Technical features**

• **Microphone**

Microphone.....prepolarised electret condenser.  
Nominal sensitivity.....20 mV/Pa .

• **Sound level meter**

Standards.....IEC 61672-1 Class 2 /  
IEC 61651 Class 2 / IEC 60804 Class 2  
Measured parameters.....L<sub>A</sub>  
Other displayed parameters.....L<sub>AFmax</sub>, L<sub>AFmin</sub>, L<sub>ASmax</sub>, L<sub>ASmin</sub>  
Frequency weighting.....A  
Measuring range.....30-130 dB  
Time weighting.....slow, fast  
Overload indicator.....detected at the peak sound-pressure level  
Backlighted display.....graphic 128x64 pixels.  
Adjustable contrast.  
Resolution.....0,1 dB  
Reference direction.....microphone axis  
Reference range.....30 - 130 dB  
Reference level.....94 dB  
Reference frequency.....1000 Hz


• **Environmental effects**

Storage relative humidity..... 95 % RH max.  
Storage temperature.....from 0 °C to + 50 °C.  
Operating temperature.....from -10 °C to + 50 °C.  
Humidity dependence.....in accordance with standard between 30 and 90%RH, reference being at 65%RH and 40°C.  
Static pressure dependence.....According to class 2 requirements  
Standards.....IEC 61672-1 / IEC 61651 / IEC 60804  
Electromagnetical compatibility.....As per 89/336/CEE guideline

• **Power supply**

Batteries.....3 AAA or rechargeable batteries  
(Rq: rechargeable batteries must not be recharged inside the instrument)  
Battery life (at 20°C).....30 hours min (with alkaline batteries)

• **Output**

 **DO NOT PLUG USB cable.** The output is not USB compatible, the plug is maintenance- and optional accessory-specific.



\*Supplied with wind screen

**Description**

The sound level meter **SDA** is reliable, easy to use and in accordance with metrology requirements. SDA can measures :

- **Sound-pressure level**

- **Sound-pressure level L<sub>A</sub>**  
as per two weighting times **FAST** or **SLOW**

To be used for stable or slightly fluctuating sound sources. Sound-pressure level (L<sub>A</sub>) unit is **dBA** and L<sub>Amax</sub> and L<sub>Amin</sub> values are saved.

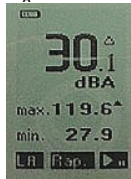
## Quick start



- ① ② ③ **Function keys** (See table)
- ④ **Erase and back to previous screen**
- ⑤ **Screen key** (See table)
- ⑥ **On/Off key**

## Screens

### L<sub>A</sub> measuring



### Contrast



### Calibration



### About...



« ^ » symbol indicates the detection of input overload, while « ^ » appears measures must not be taken in account.

## FUNCTIONS (Once the device is switched on)

- L<sub>A</sub> measurement**
- 1x ② → Slow time weighting
  - 2x ② → Fast time weighting

- L<sub>Amax</sub> and L<sub>Amin</sub> reset**
- From L<sub>A</sub> measuring screen → 1x ④

- L<sub>A</sub> : Hold function (During measurement)**
- 1x ③ → Hold
  - 2x ③ → Re-start

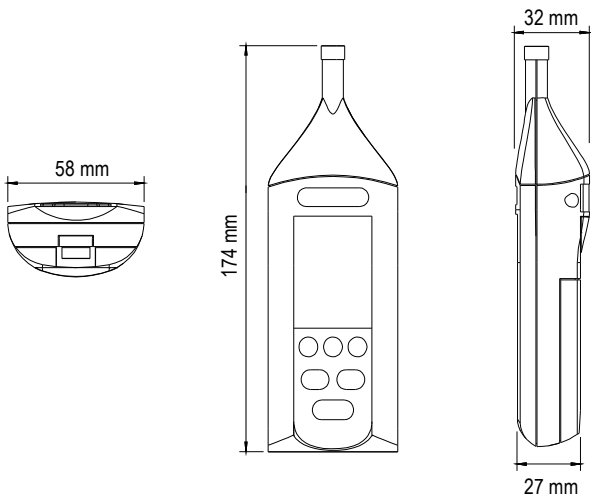
- Contrast settings**
- 1x ⑤ → 1x ① → Decrease
  - 1x ⑤ → 1x ② → Increase

- Backlight**
- 1x ⑤ → 1x ③ → Active
  - 2x ③ → Deactive

- Calibration**
- 2x ⑤ → 1x ① → Calibration value decrease of 0.1dB
  - 1x ⑤ → 1x ② → Calibration value increase of 0.1dB

- Language**
- 3x ⑤ → 1x ① → English
  - 2x ① → French

## Dimensions



## Accessories (optional)

### Acoustic controller

The acoustic controller allows SDA functional check with a reference of 94 dB at 1000 Hz.

### Wind screen

To protect the microphone against wind and dust.

NTang – SDA – 04/08 A – We reserve the right to modify the characteristics of our products without notice.

[www.kimo.fr](http://www.kimo.fr)

EXPORT DEPARTMENT

Boulevard de Beaubourg - Emerainville - BP 48  
77312 MARNE LA VALLEE CEDEX 2

Tel : + 33.1.60.06.69.25 - Fax : + 33.1.60.06.69.29

